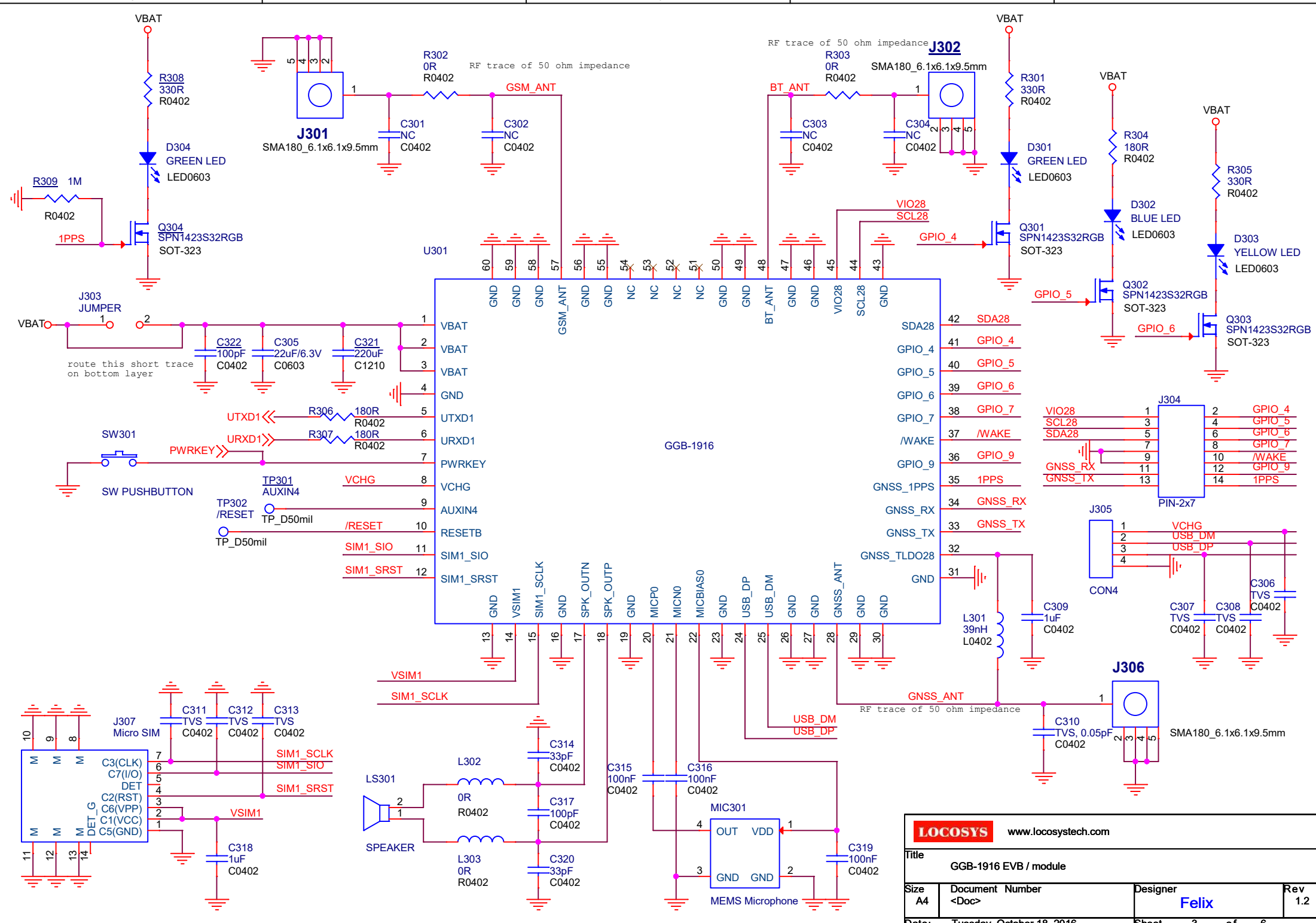


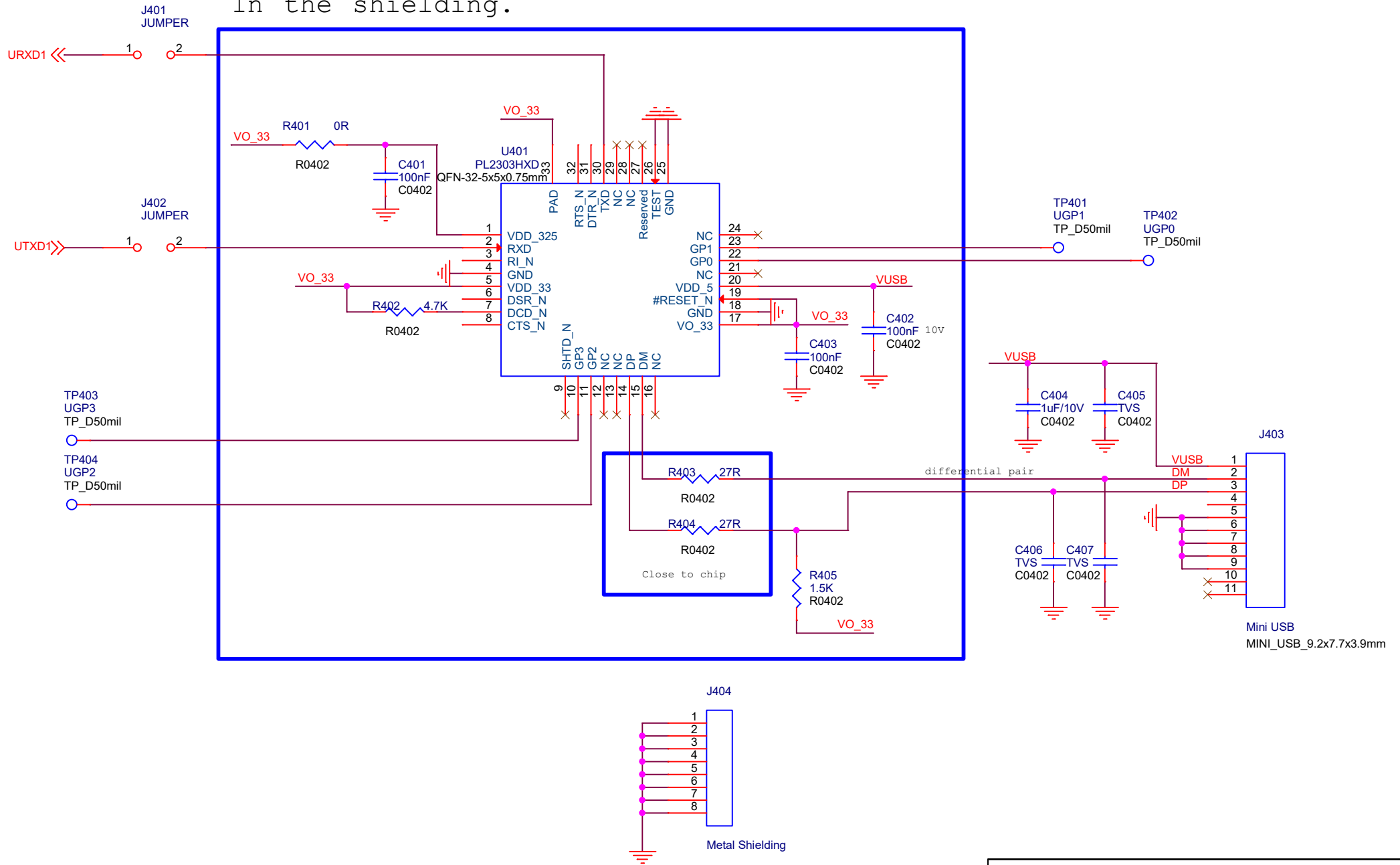
version	Updates
vl.2	Add R309 Change C315 and C316 from 100pF to 100nF

LOCOSYS www.locosystech.com			
Title GGB-1916 EVB / Block Diagram			
Size A4	Document Number <Doc>	Designer Felix	Rev 1.2
Date: Tuesday, October 18, 2016		Sheet 1 of 6	

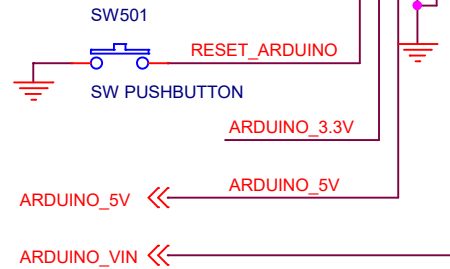
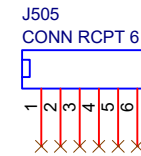
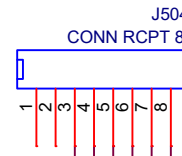
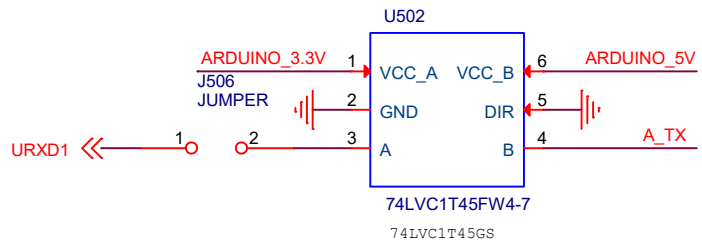
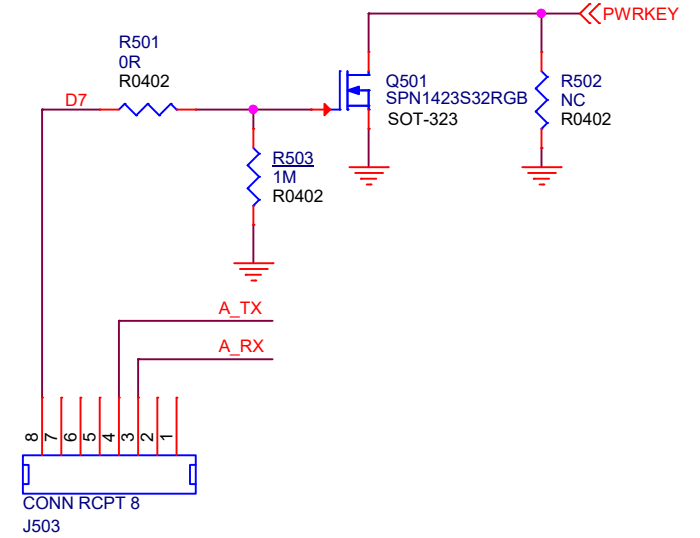
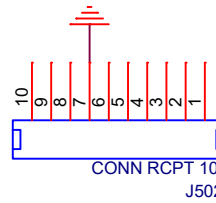
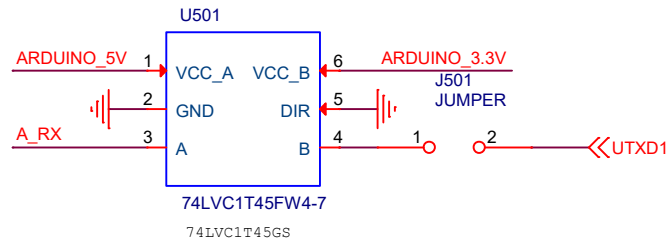


LOCOSYS www.locosystem.com			
Title GGB-1916 EVB / module			
Size A4	Document Number <Doc>	Designer Felix	Rev 1.2
Date Tuesday, October 18, 2016	Sheet 3 of 6		

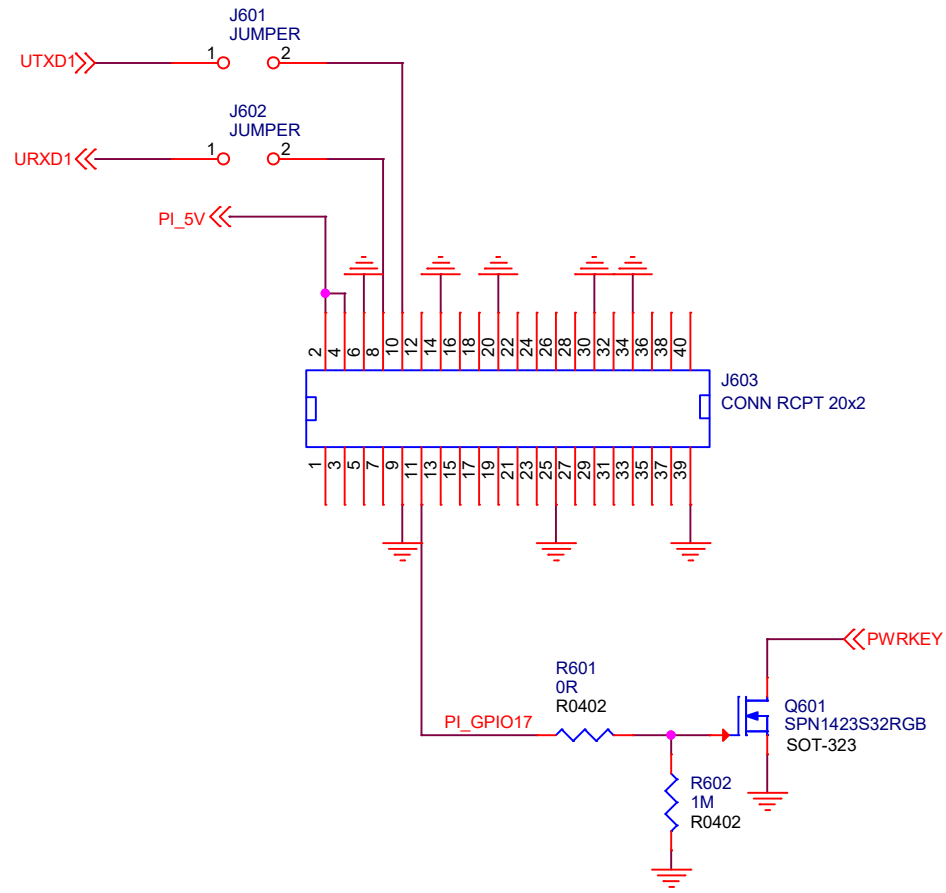
In the shielding.



LOCOSYS www.locosytech.com			
Title GGB-1916 EVB / USB to UART Bridge			
Size A4	Document Number <Doc>	Designer Felix	Rev 1.2
Date: Tuesday, October 18, 2016		Sheet 4 of 6	



LOCOSYS www.locosytech.com			
Title GGB-1916 EVB / Arduino Shield			
Size A4	Document Number <Doc>	Designer Felix	Rev 1.2
Date: Tuesday, October 18, 2016		Sheet 5 of 6	



LOCOSYS www.locosystech.com			
Title GGB-1916 EVB / Raspberry PI Shield			
Size A4	Document Number <Doc>	Designer Felix	Rev 1.2
Date: Tuesday, October 18, 2016		Sheet 6 of 6	